



*"The Best Bar - Bar None!"* ®

## **BAR MOUNTS**

**5525 - 272nd Street, Unit A120, Langley, BC V4W 1P1 Canada**

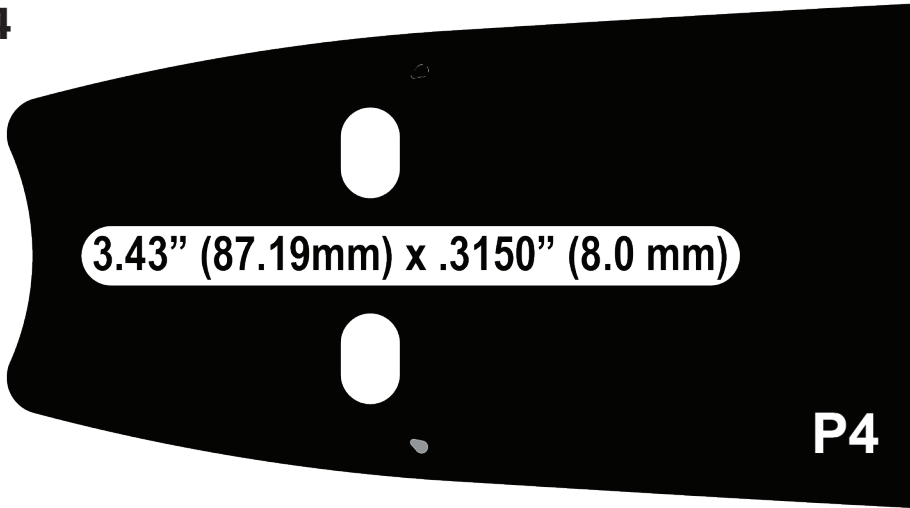
**Toll Free: 888-604-9990**

**[www.cannonbar.com](http://www.cannonbar.com)**

# **CHAINSAW BAR MOUNTS**

## **CSB and CSM**

**P4**



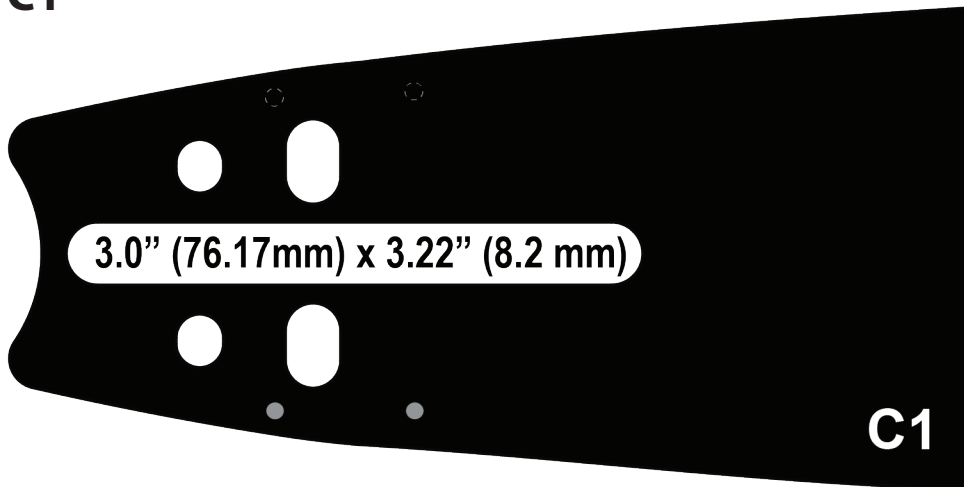
**OEM Applications**

Most Echo and McCulloch models

**Cannon P4**

Oregon D176

**C1**



**OEM Applications**

Most small Dolmar, Echo, Husqvarna, Jonsered, Makita, Poulan, Shindaiwa and Stihl models

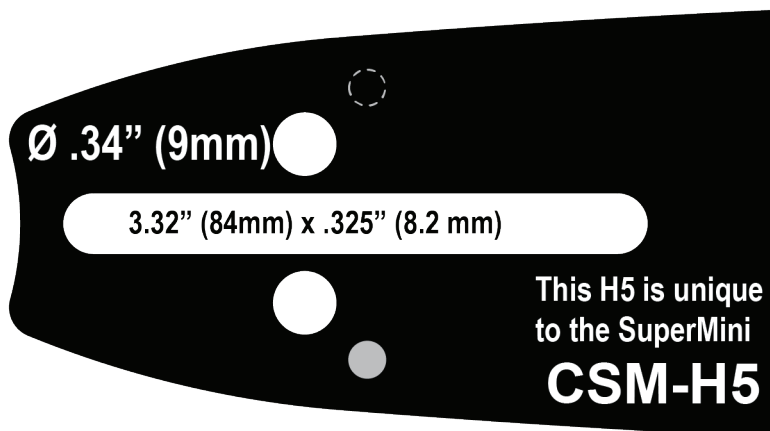
**Cannon C1**

Combination Mount

Oregon A041, K041, A064, A074, A095, K095

Stihl 3005

**H5**



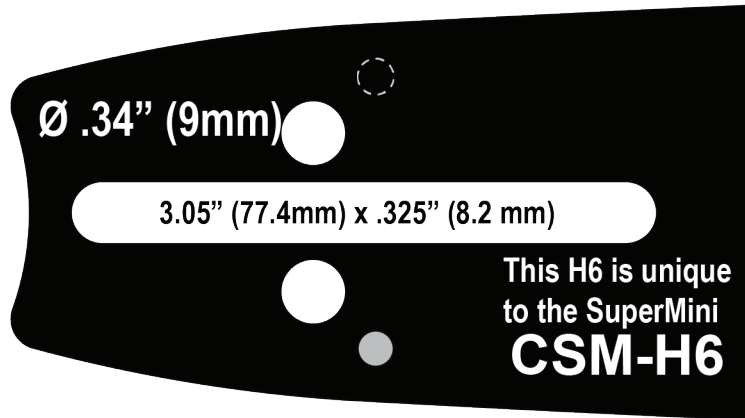
**OEM Applications**

Cub Cadet, Dolmar, Homelite, Husqvarna, John Deere, Jonsered, Makita, McCulloch, Oleo-Mac, Pioneer, Poulan, Redmax, Sears, Solo and others

**Cannon H5**

Oregon A095

## H6



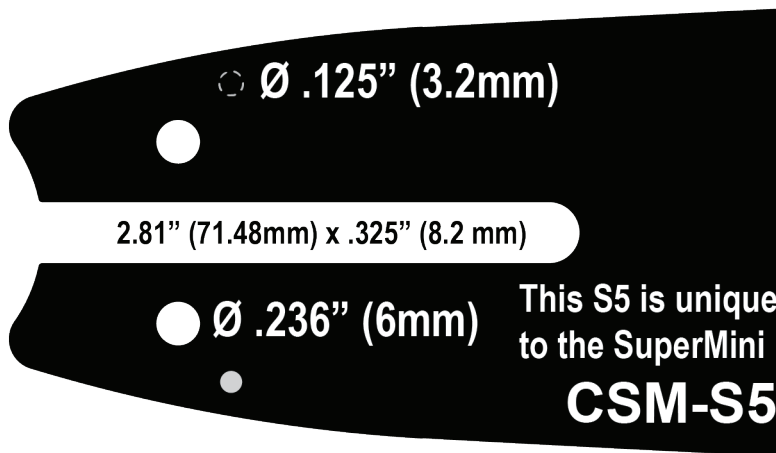
### OEM Applications

Cub Cadet, Dolmar, Homelite, Husqvarna, John Deere, Jonsered, Makita, McCulloch, Oleo-Mac, Pioneer, Poulan, Redmax, Sears, Solo and others

### Cannon H6

Oregon K095

## S5



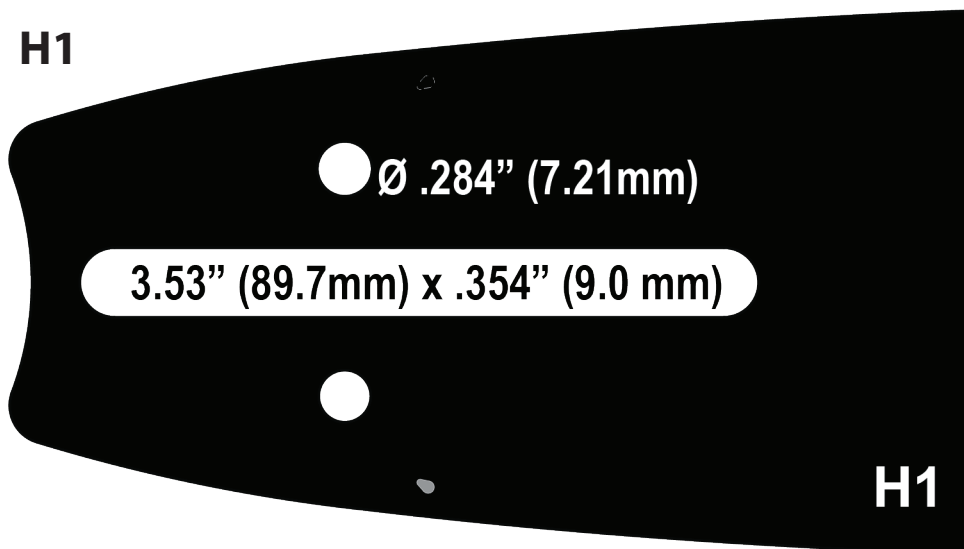
### OEM Applications

Small Stihl and Olympyk (Oleo-Mac) models

### Cannon S5

Oregon A074  
Stihl 3005

## H1



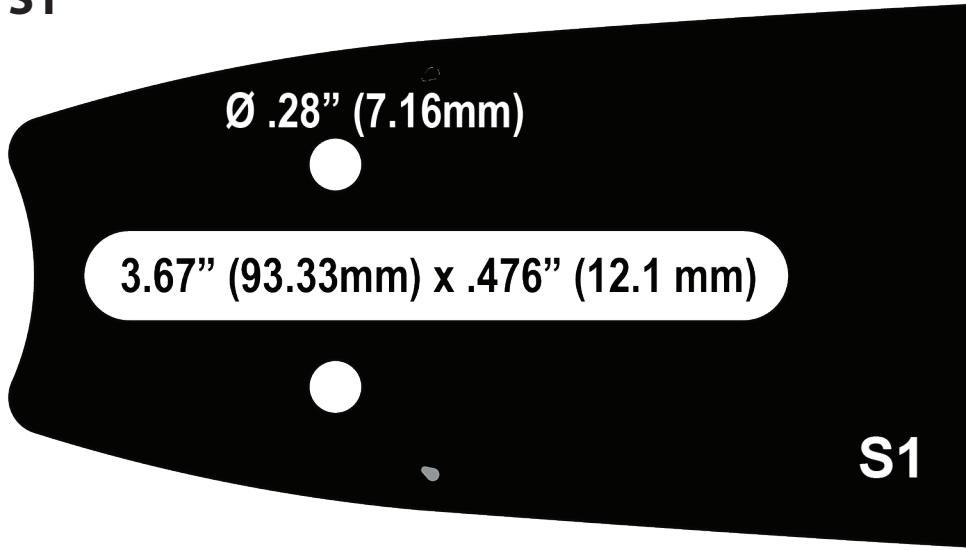
### OEM Applications

Most Dolmar, Husqvarna, Jonsered, Makita, Shindaiwa and Solo models

### Cannon H1

Oregon D009

**S1**



**OEM Applications**

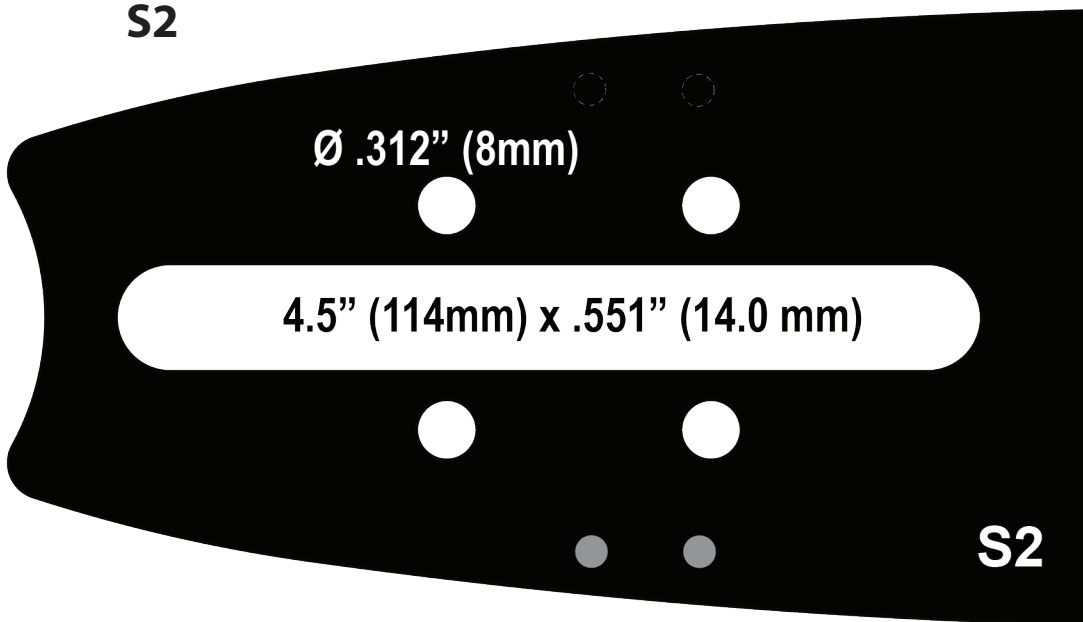
Most Stihl models

**Cannon S1**

Oregon D025

Stihl 3003

**S2**



**OEM Applications**

Larger Dolmar, Olympek and Stihl models

**Cannon S2**

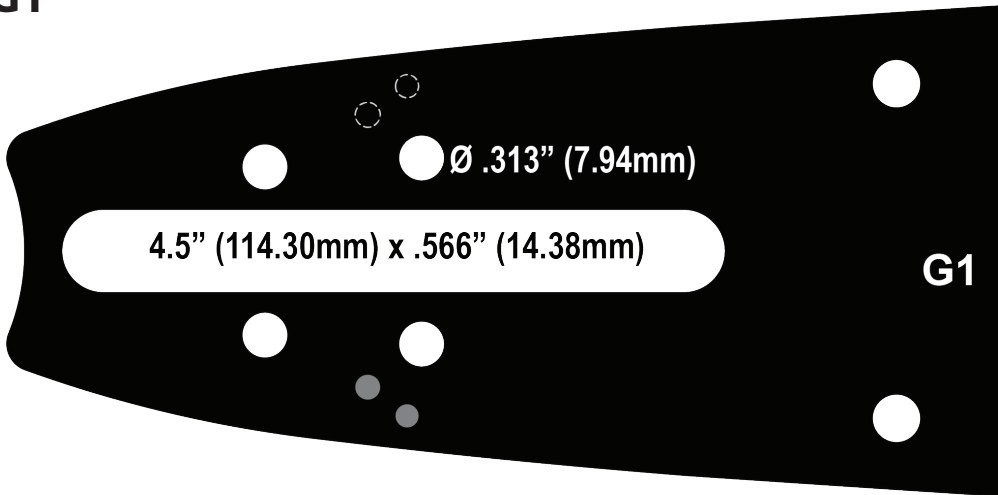
Oregon D033, E031, E086, E099

Stihl 3002

# **CHAINSAW MILLING MOUNTS**

## **CDE**

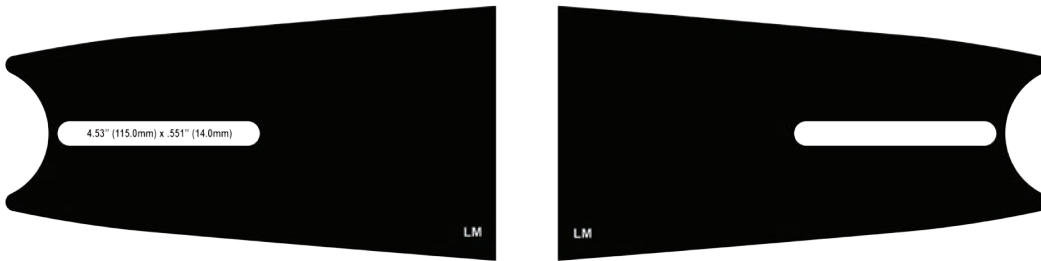
# G1



**OEM Applications**  
Double Ended Universal  
mount; see adaptor plate  
selection

**Cannon G1**

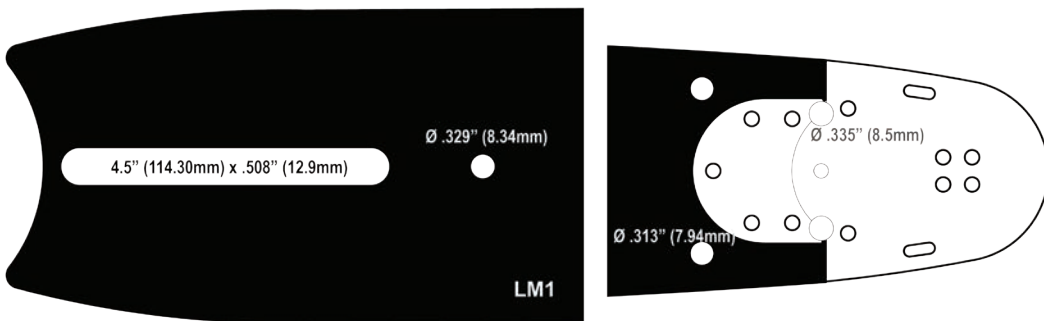
# LM



**OEM Applications**  
Lucas Mill

**Cannon LM**

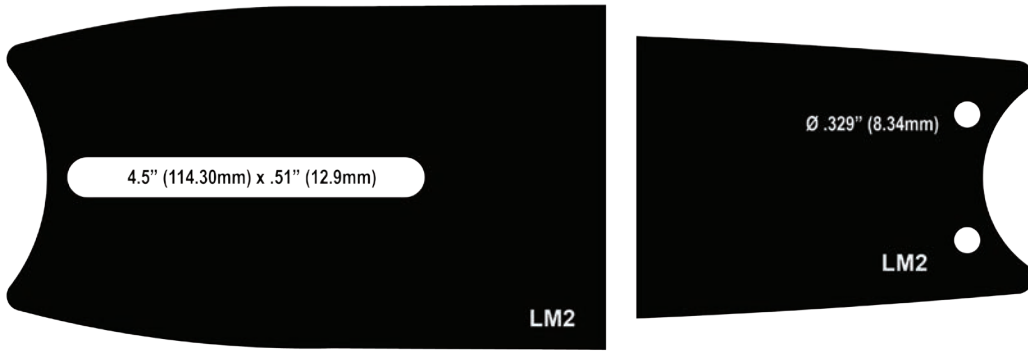
# LM1



**OEM Applications**  
Lucas Mill

**Cannon LM1**

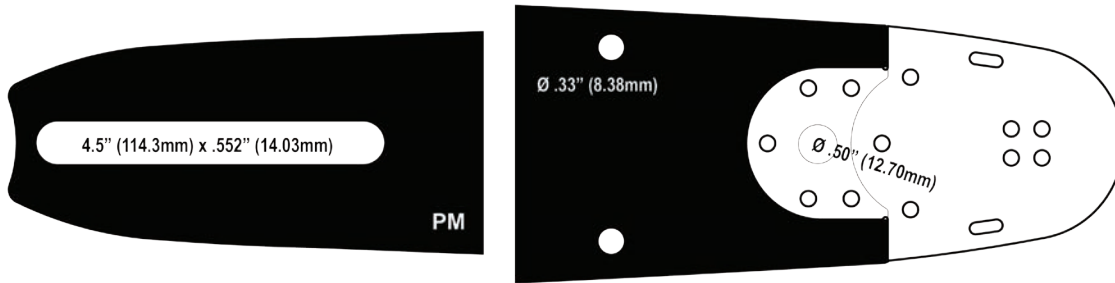
# LM2



**OEM Applications**  
Lucas Mill

**Cannon LM2**

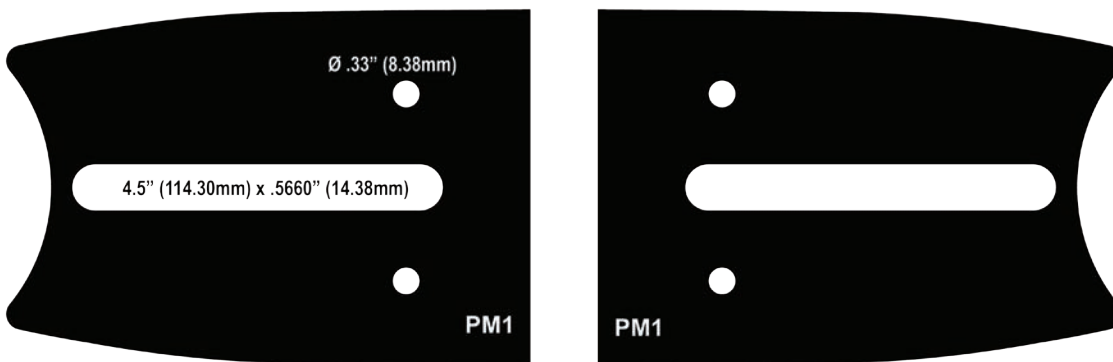
# PM



**OEM Applications**  
Peterson Mill

**Cannon PM**

# PM1

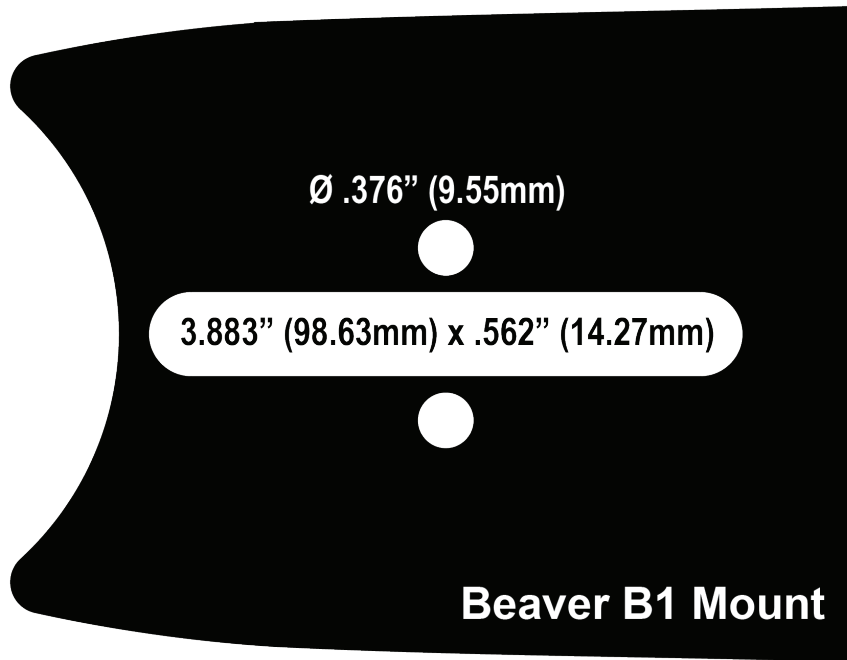


**OEM Applications**  
Peterson Mill

**Cannon PM1**

# **FIREWOOD PROCESSOR MOUNTS CBV and CBB**

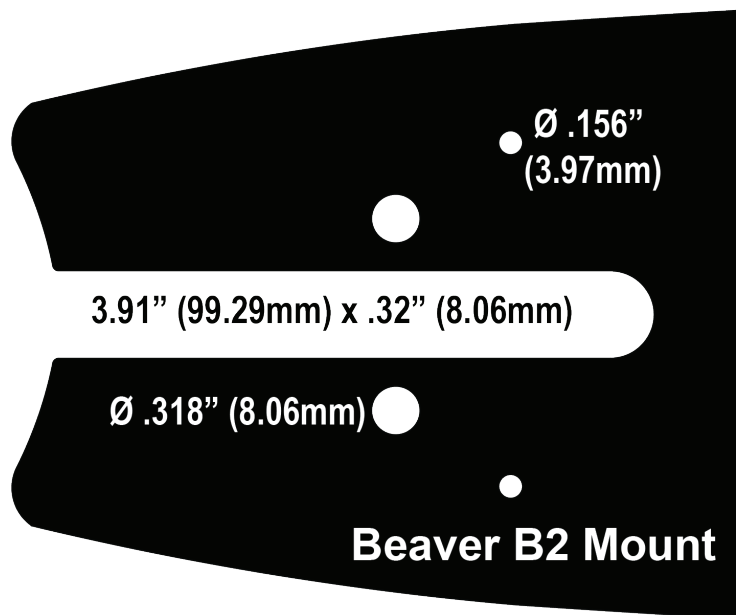
**B1**



**OEM Applications**  
Beaver

**Cannon B1**

**B2**



**OEM Applications**  
Built Rite

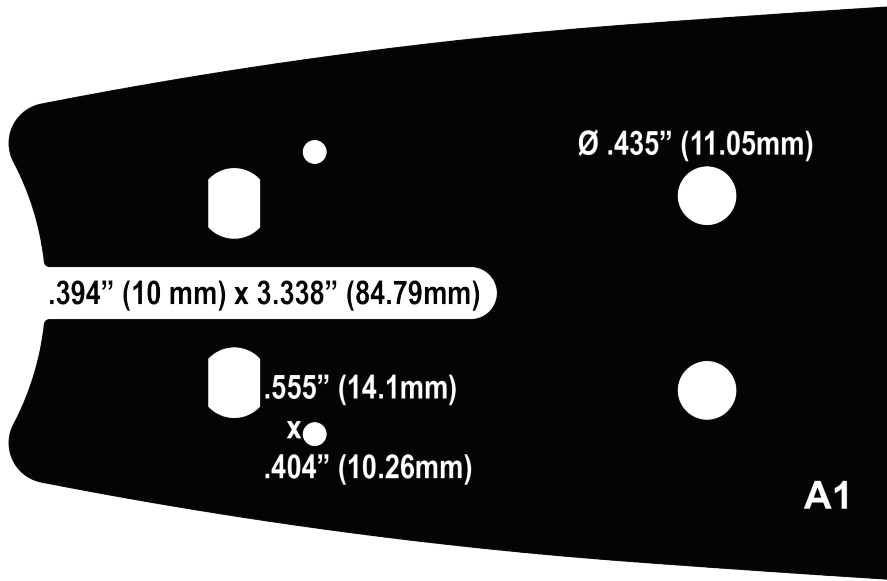
**Cannon B2**

# **HARVESTER BAR MOUNTS**

**.404" CHA**

**3/4" CHV**

**A1**

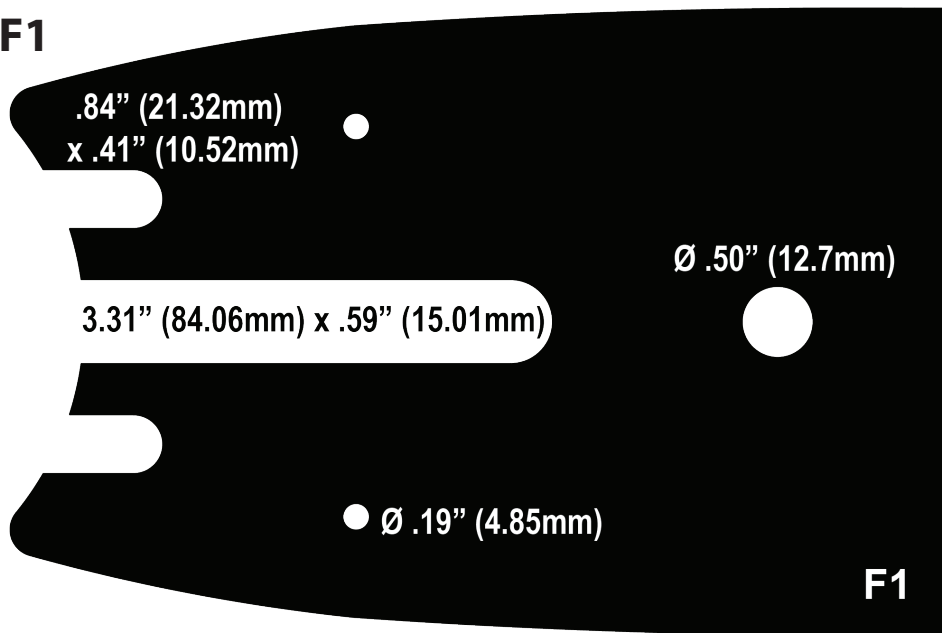


404 Pitch

**Cannon A1**

Oregon L104, L114

**F1**

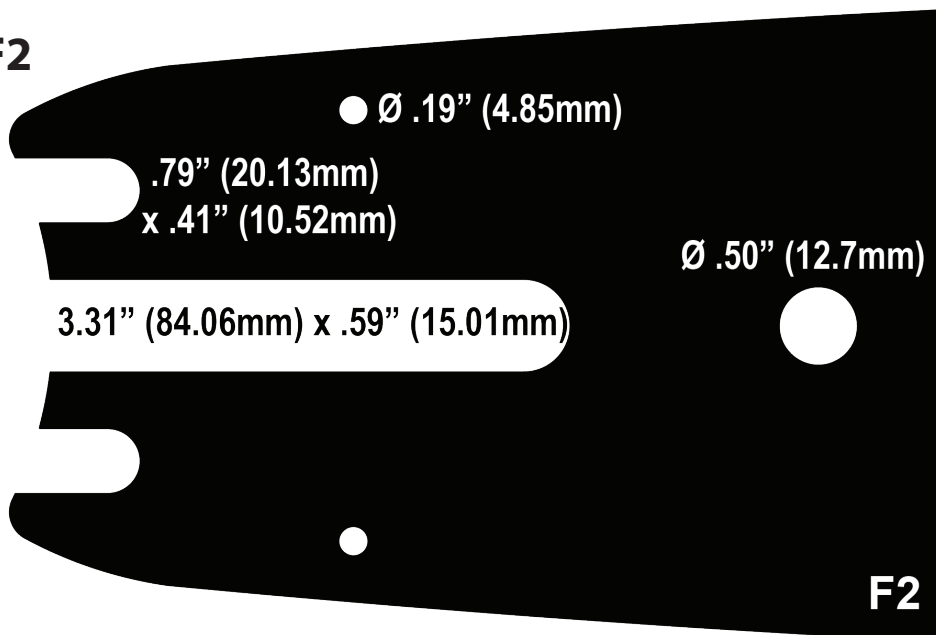


404 Pitch

**Cannon F1**

Oregon B149

**F2**

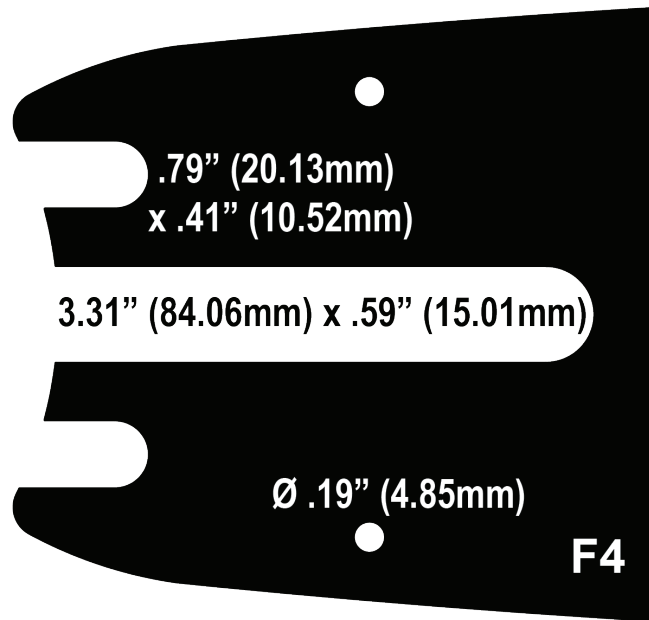


404 Pitch

**Cannon F2**

Oregon L149

**F4**

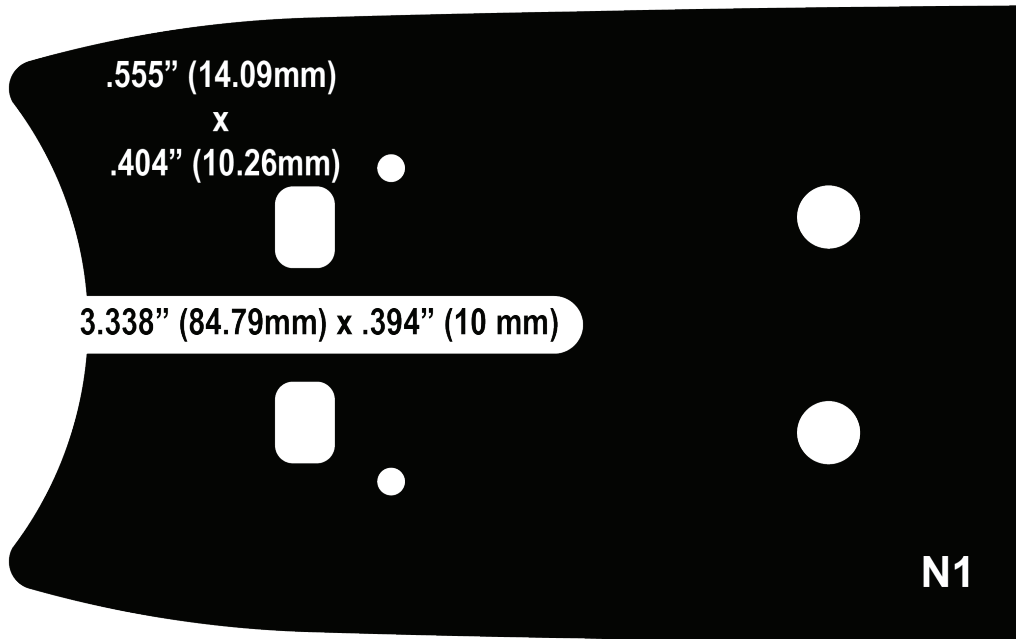


404 Pitch

**Cannon F4**

OregonL163

**N1**

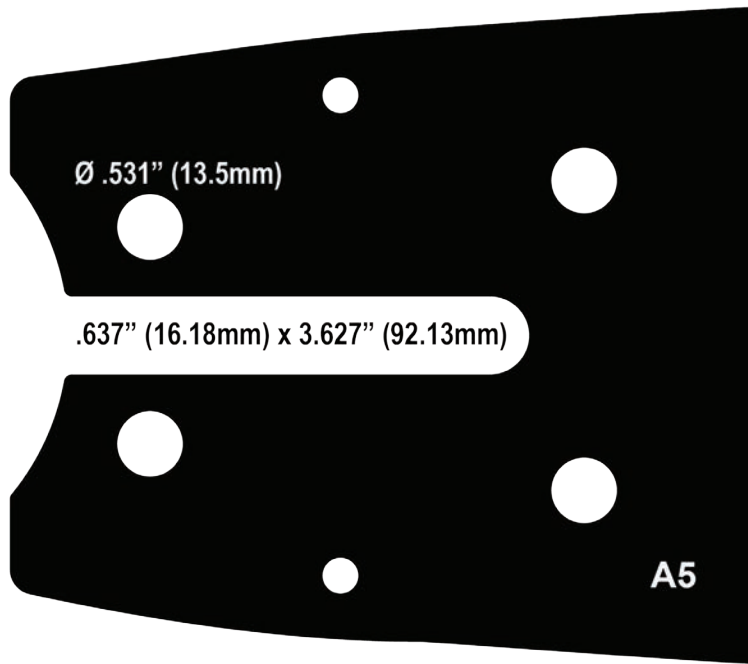


404 Pitch

**Cannon N1**

Oregon N104, N114

**A5**

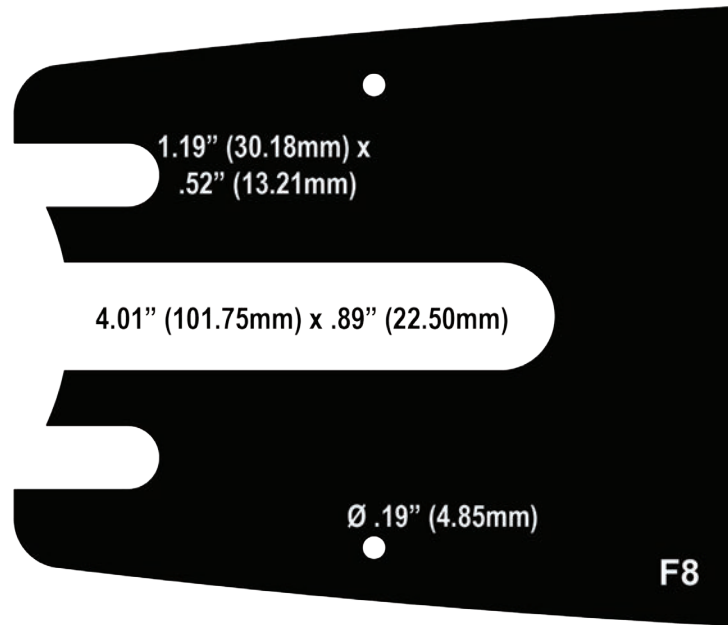


3/4 Pitch

**Cannon A5**

Oregon T146

**F8**

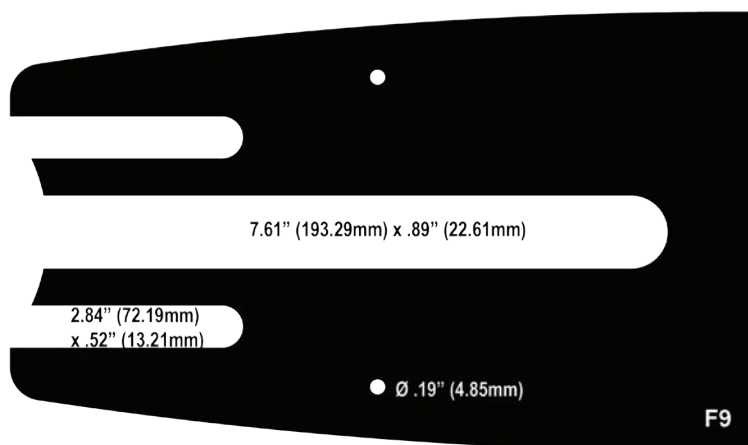


3/4 Pitch

**Cannon F8**

Oregon T227

**F9**

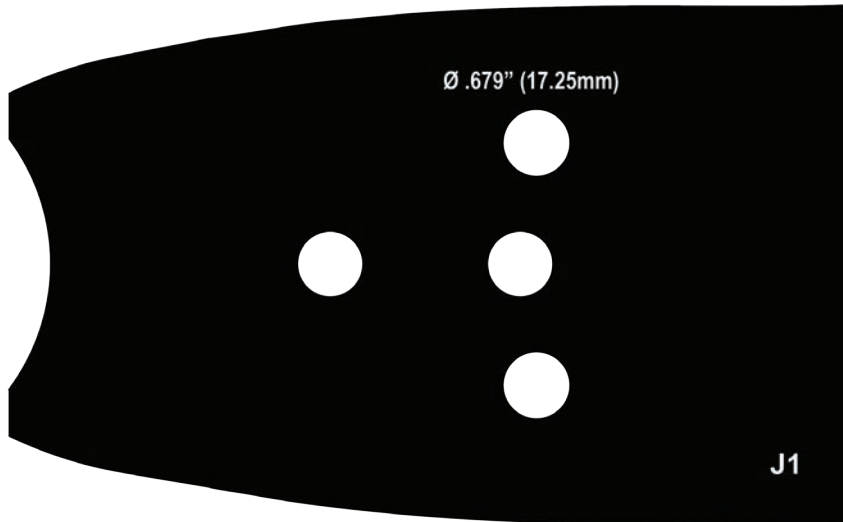


3/4 Pitch

**Cannon F9**

Oregon T229

**J1**

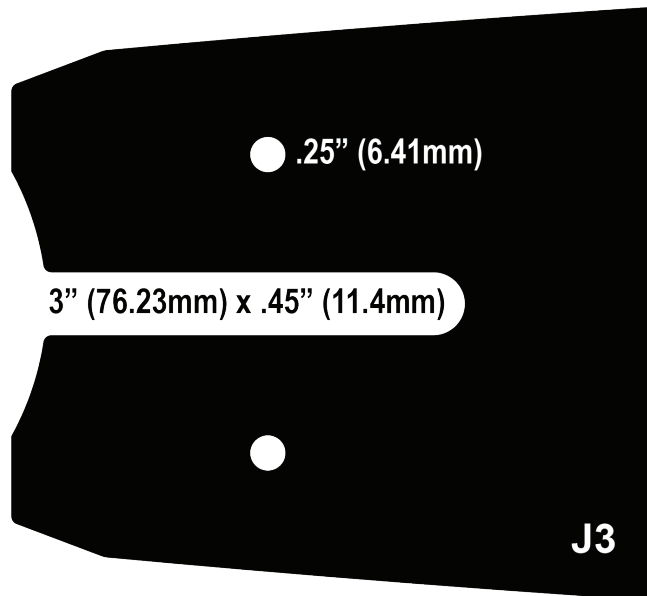


3/4 Pitch

**Cannon J1**

Oregon T222

**J3**

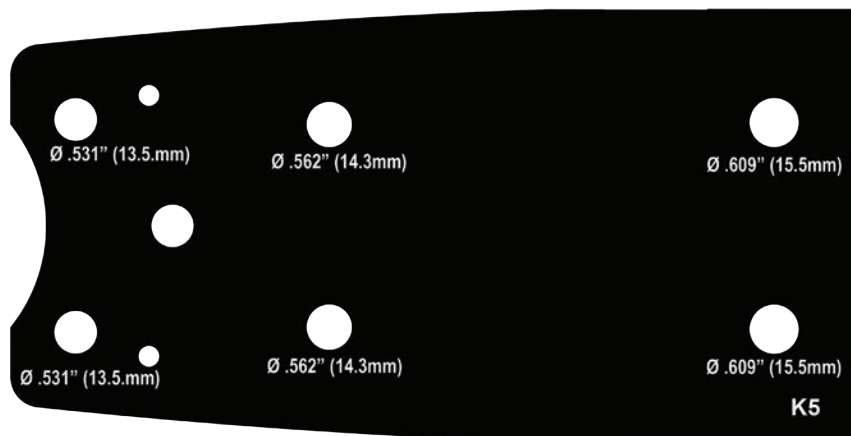


3/4 Pitch

**Cannon J3**

Oregon N/A

**K5**

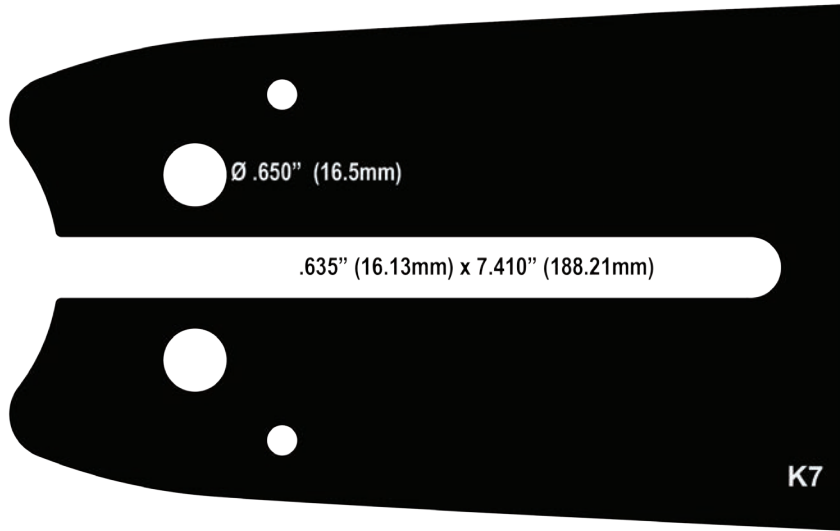


3/4 Pitch

**Cannon K5**

Oregon T043SN, T043AT

**K7**

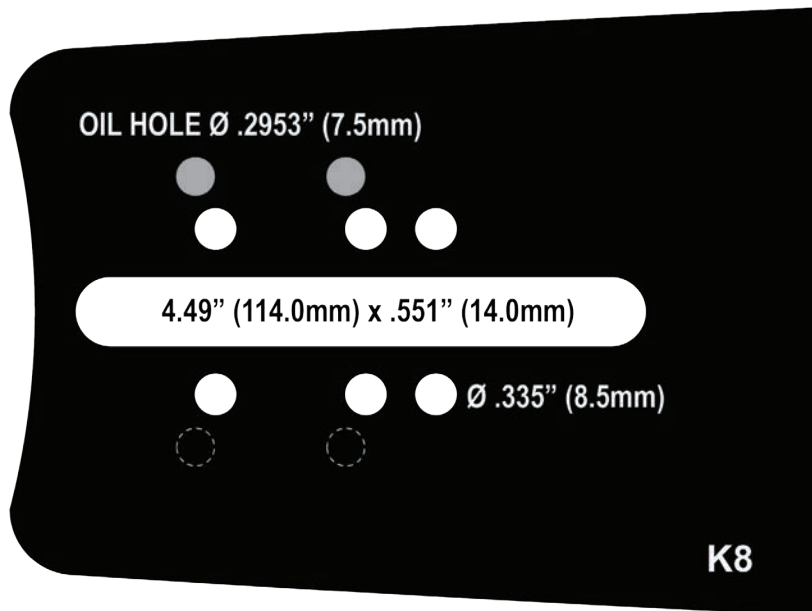


3/4 Pitch

**Cannon K7**

Oregon T138

**K8**

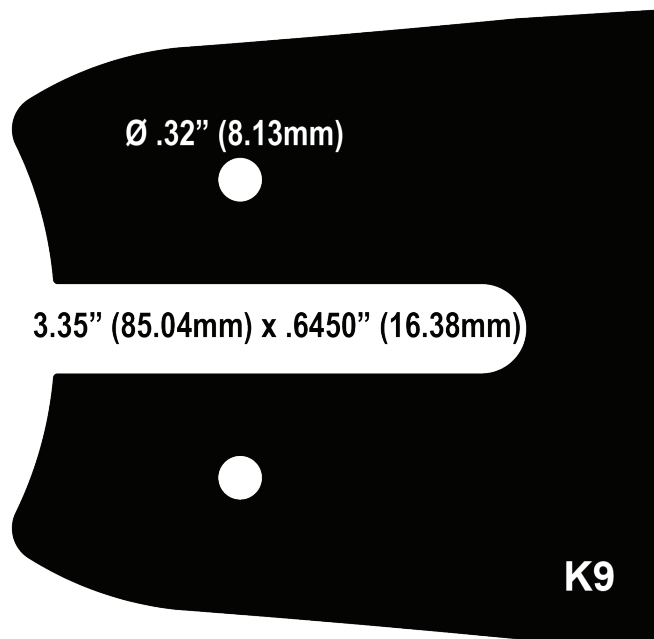


3/4 Pitch

**Cannon K8**

Oregon K205

**K9**

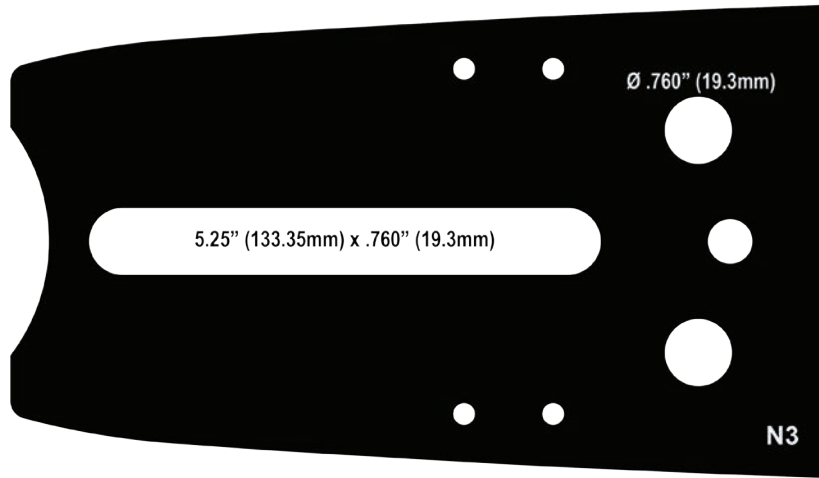


3/4 Pitch

**Cannon K9**

Oregon C159

**N3**

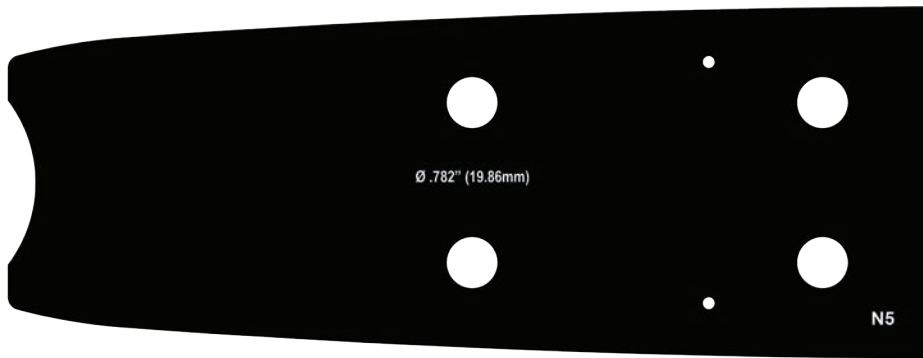


3/4 Pitch

**Cannon N3**

Oregon T190

**N5**

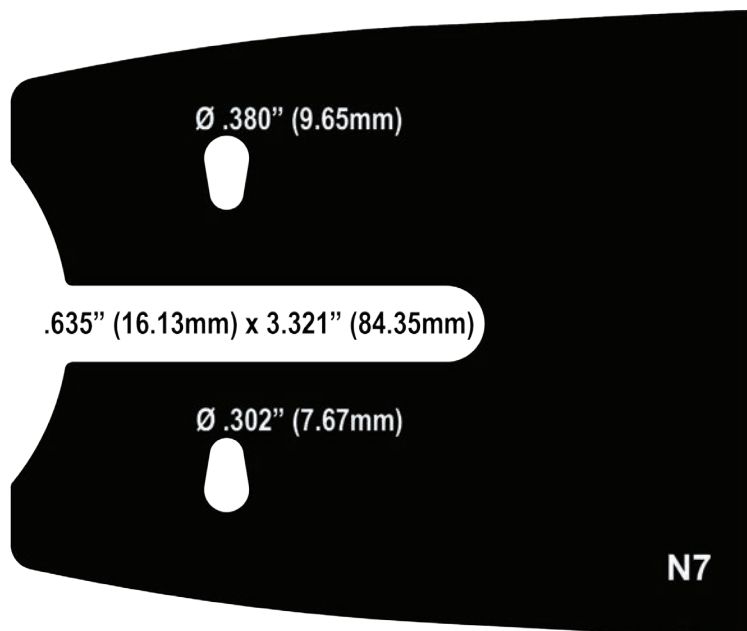


3/4 Pitch

**Cannon N5**

Oregon T210

**N7**

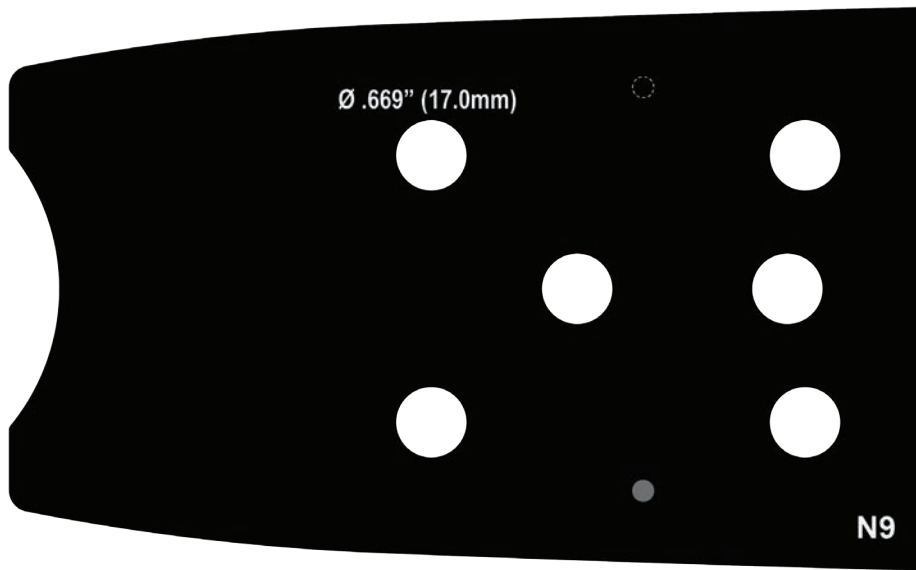


3/4 Pitch

**Cannon N7**

Oregon T219

**N9**

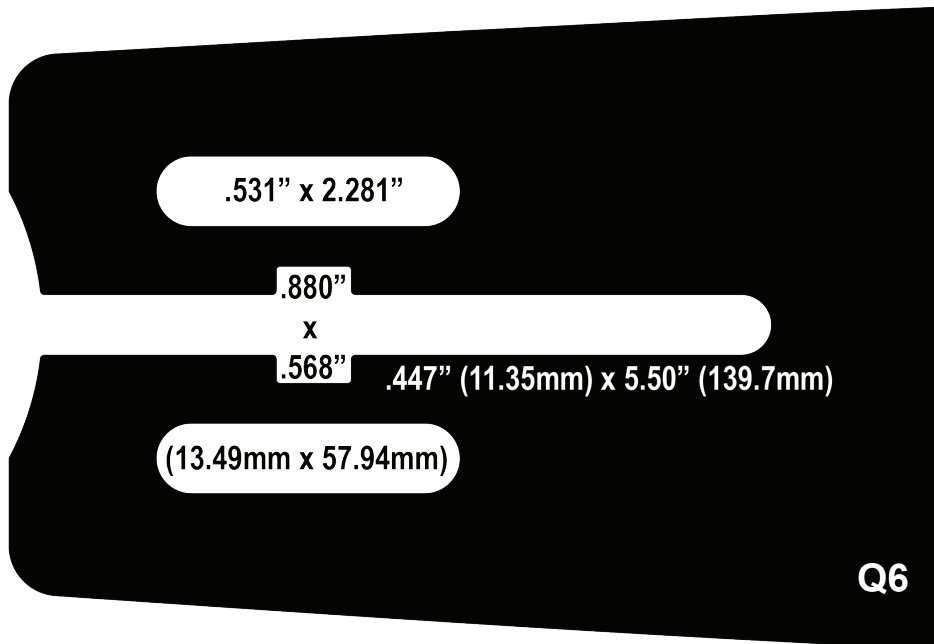


3/4 Pitch

**Cannon N9**

Oregon T223

**Q6**



3/4 Pitch

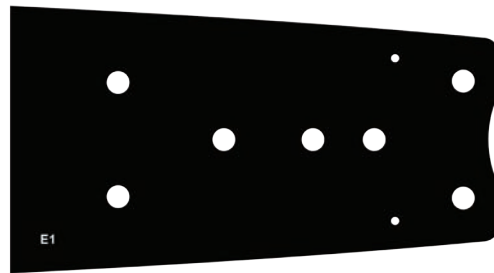
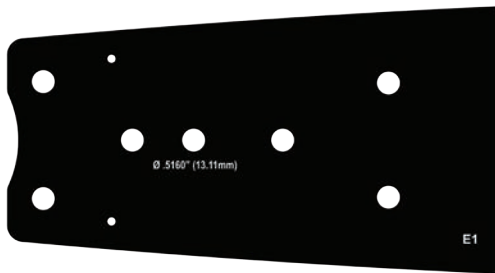
**Cannon Q6**

Oregon T161

# **SLASHING BAR MOUNTS**

## **CSL**

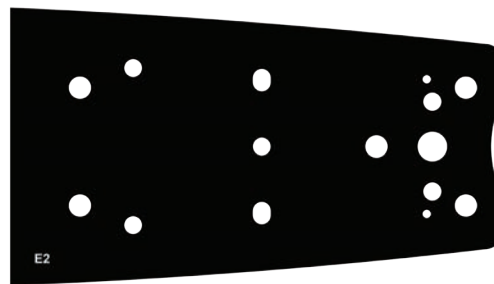
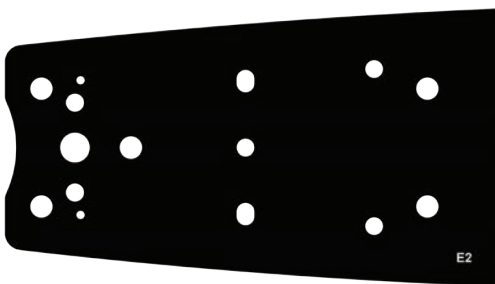
**E1**



**Cannon E1**

Oregon 9136, 136

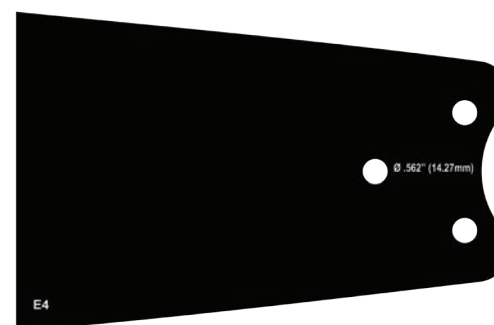
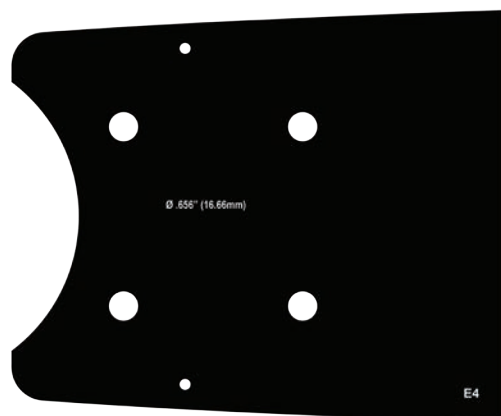
**E2**



**Cannon E2**

Oregon 9137, 137

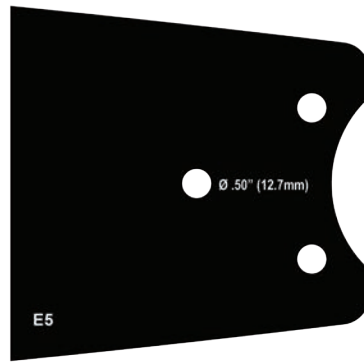
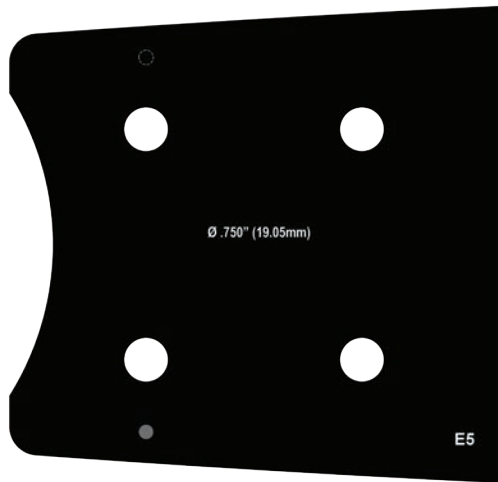
**E4**



**Cannon E4**

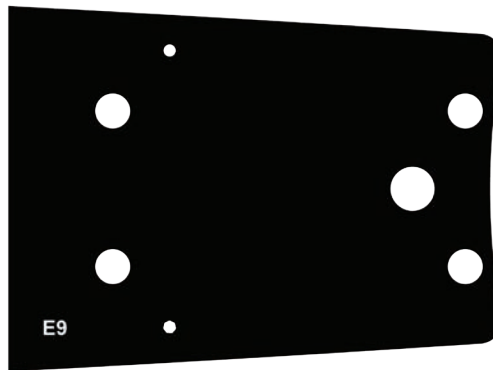
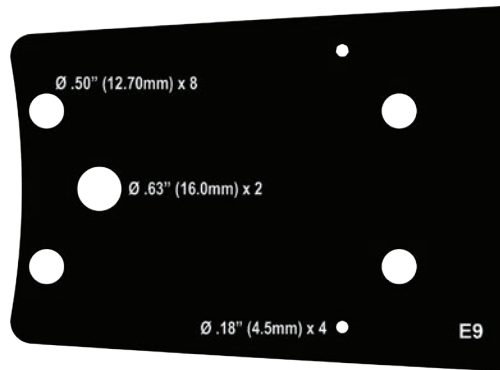
Oregon 9155

# E5



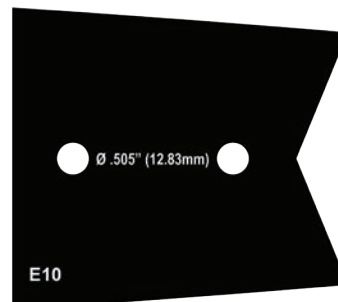
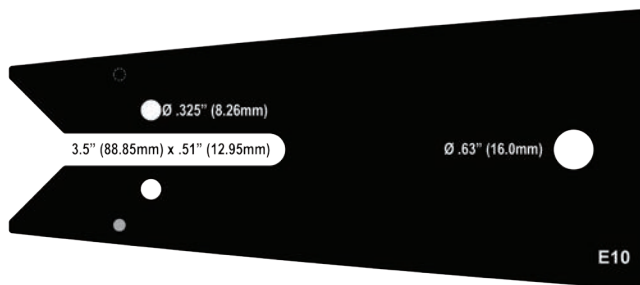
Cannon E5

# E9



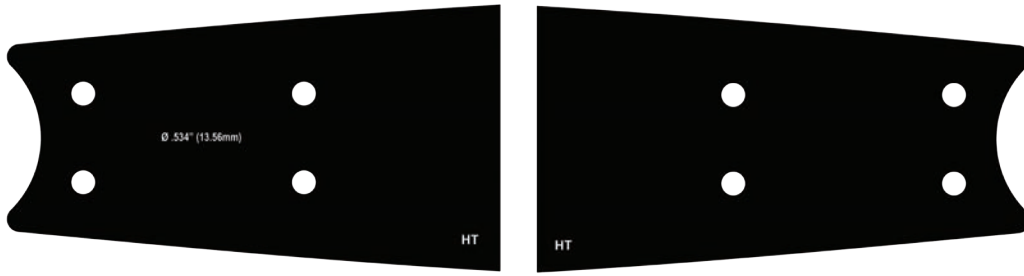
Cannon E9

# E10



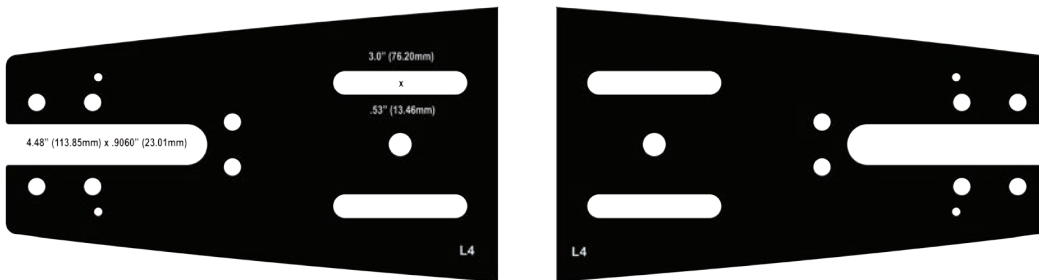
Cannon E10

# HT



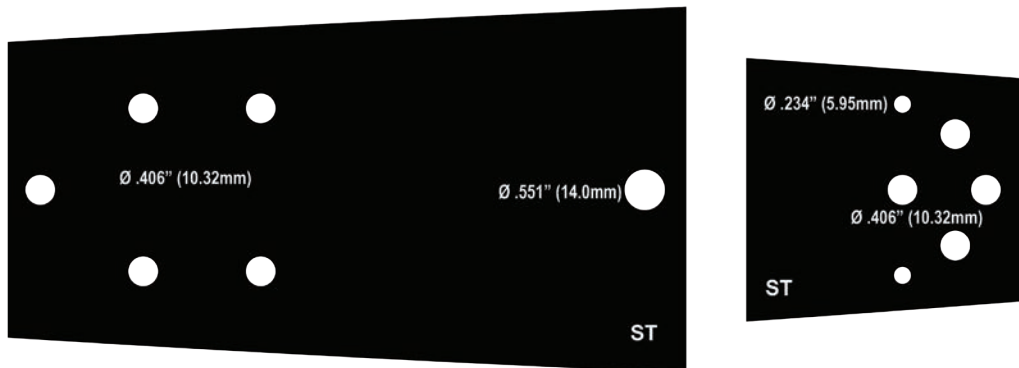
Cannon HT

# L4



Cannon L4

# ST

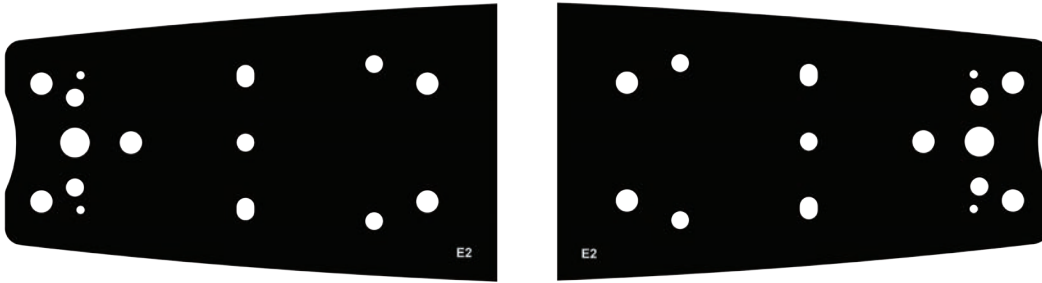


Cannon ST

# **PACKAGING BAR MOUNTS**

## **CPB**

# E2

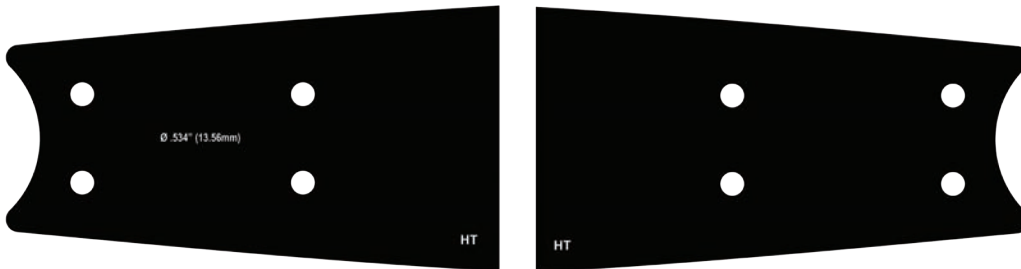


**OEM Applications**  
L - M

**Cannon E2**

Oregon 9137, 137

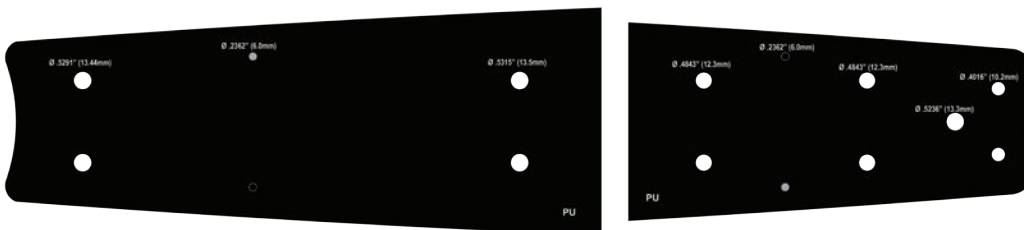
# HT



**OEM Applications**  
Holtec

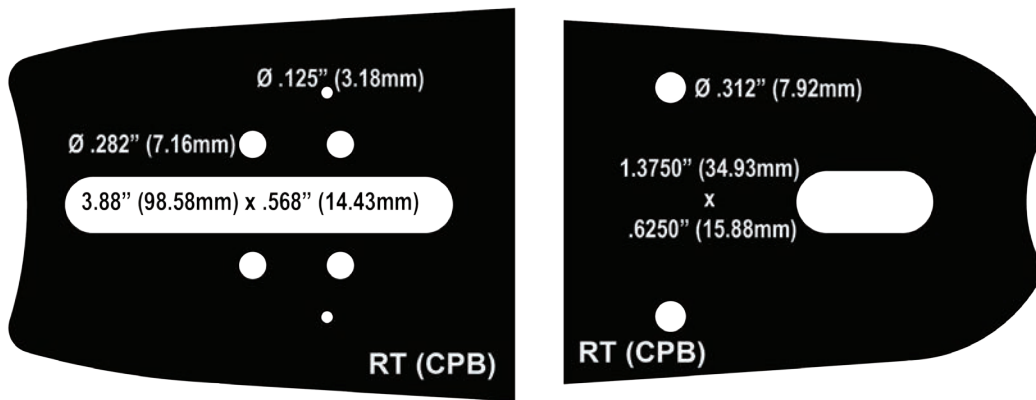
**Cannon HT**

# PU



**Cannon PU**

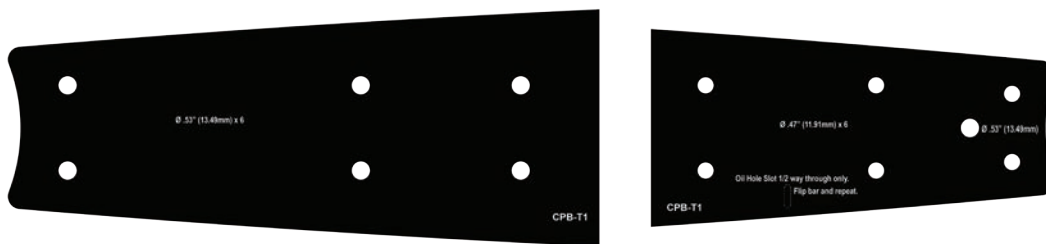
# RT



**OEM Applications**  
Ramtech

**Cannon RT**

# T1



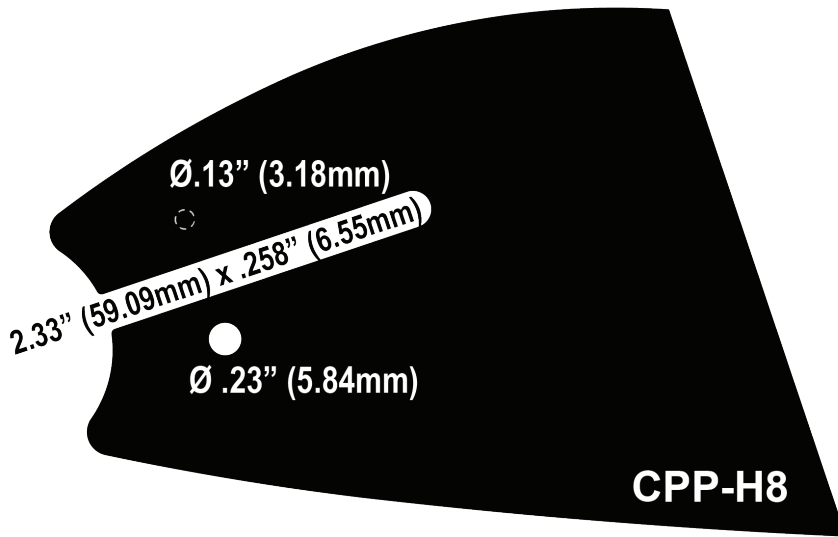
**OEM Applications**  
Trail

**Cannon T1**

# **PRUNING BAR MOUNTS**

## **CPP**

**H8**

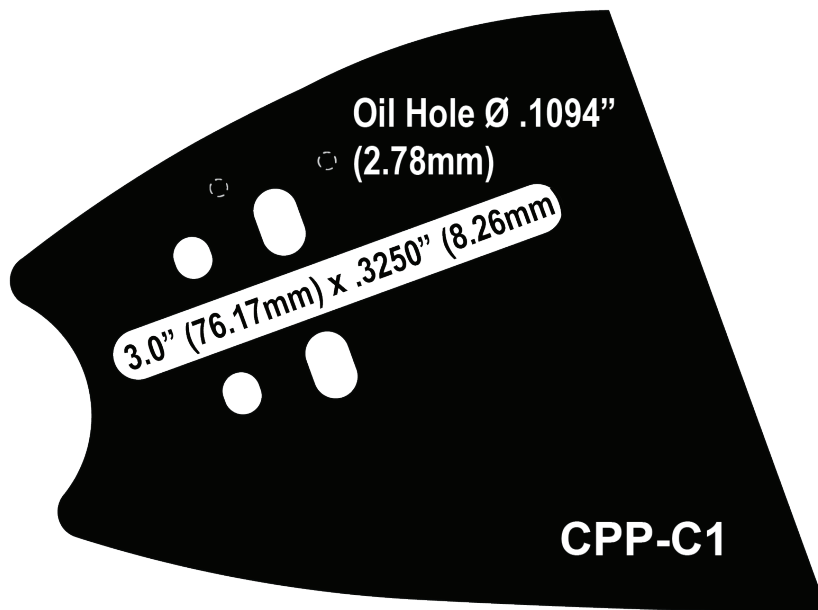


**OEM Applications**  
Husqvarna Pole Saws  
with 6.4 mm studs

**Cannon H8**

Oregon A318

**C1**



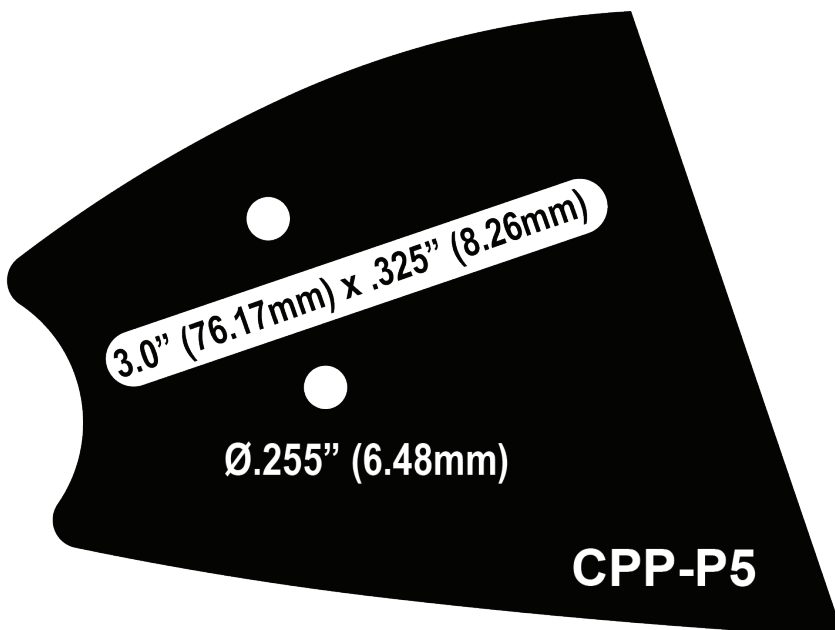
**OEM Applications**  
Most small Dolmar, Echo,  
Husqvarn, Jonsered, Makita,  
Poulan, Shindaiwa and  
Stihl models

**Cannon C1**  
Combination Mount  
for 8.2 mm studs

Oregon A041, K041,  
A074, A095, K095

Stihl 3005

**P5**

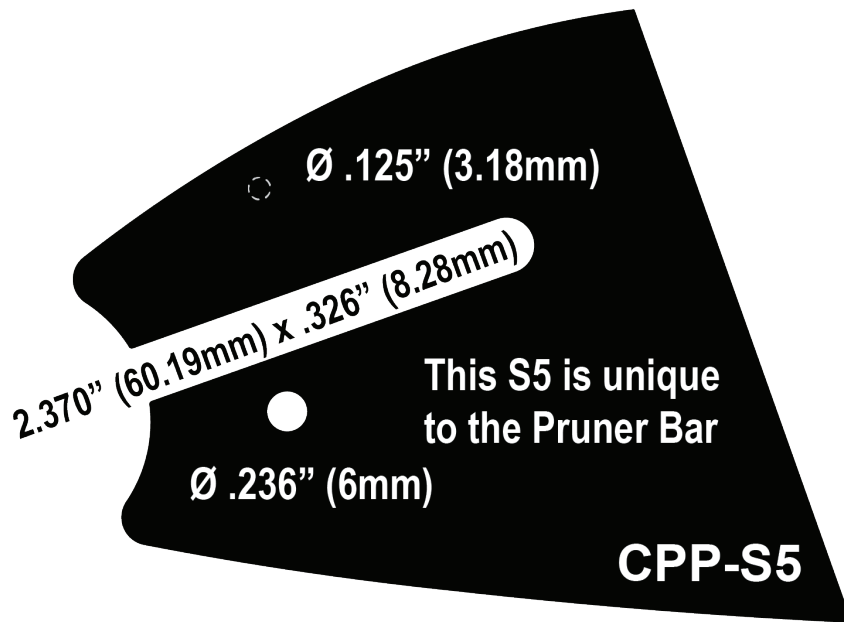


**OEM Applications**  
Echo Pole Saws  
with 8.2 mm studs

**Cannon P5**

Oregon A041

**S5**



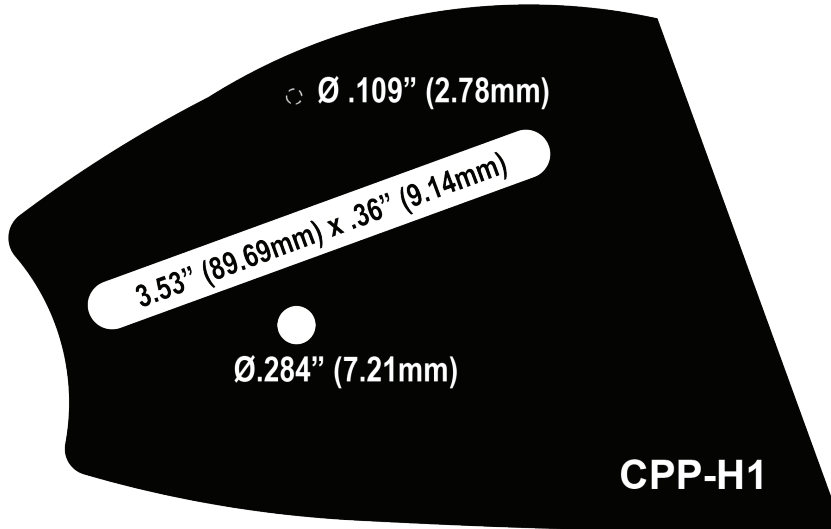
**OEM Applications**

Stihl Pole Saws  
with 8.2 mm studs

**Cannon S5**

Oregon A074  
Stihl 3005

**H1**



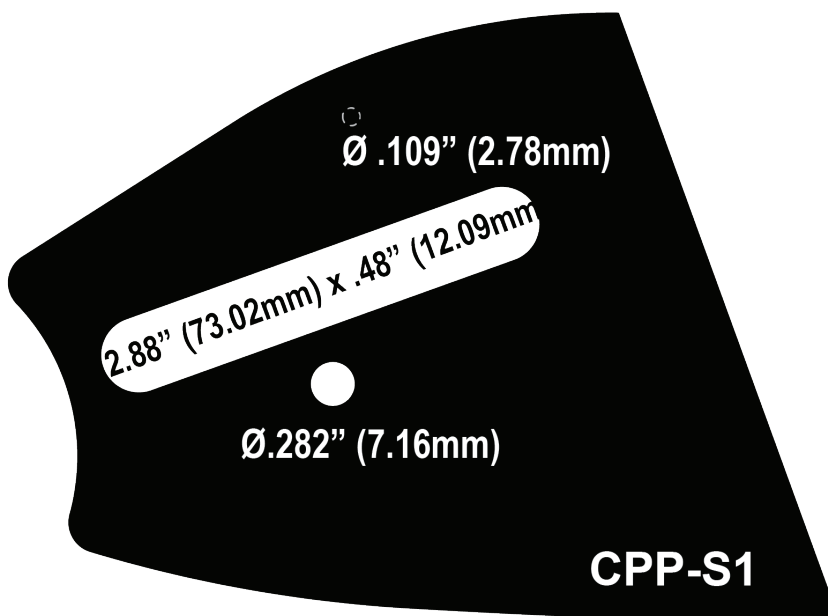
**OEM Applications**

Dolmar, Husqvarna,  
Jonsered, Makita,  
Shindaiwa and Solo models  
with 9 mm studs

**Cannon H1**

Oregon D009

**S1**



**OEM Applications**

Stihl models  
with 12.1 mm studs

**Cannon S1**

Oregon D025

Stihl 3003